

# D-SCO-RF

## SELF-SERVICE SALES POINT TERMINAL

### EXPLORE THE FUTURE OF RETAIL INTERACTION WITH D-SCO-RFID

Elevate your customers` retail shopping experience to a realm of swift and distinctive elegance with the D-SCO-RFID Self-Service Sales Platform – an extraordinary fusion of modern compact design and superior functionality awaits your esteemed clientele.

#### Status Indicator

The Status Indicator of D-SCO communicates various conditions through different colored illumination to both users and store personnel. It provides information regarding availability, occupancy, out of service status, requests for assistance, and reports of misuse in a sophisticated manner.

#### Large User-Interface Display

Enhance your customer experience to the fullest with the 23.8" Full HD user screen. Featuring projected capacitive multi-touch technology, a high screen brightness ratio of 625 nits, anti-reflective surface, glove compatibility, easy-clean, and water-resistant technologies.

#### High-Volume Product Pool

Unlock the potential to sell a greater quantity of products in a single transaction with the expansive interior volume of the plexiglass product pool.

#### 3-Tier Basket Shelf

Provide your customers with the necessary ergonomics by incorporating the 3-tier basket and bag shelf structure, mountable on both sides of the platform and adjustable in 3 different positions.

#### With RFID, Your Products Are More Secure Against Theft.

The system seamlessly integrates with RFID antennas strategically positioned at the store entrance. Information about the sold products is recorded in the database. As customers exit through the door, the system verifies the sale status of items through the antennas. If any unsold items are detected, the door alarm is triggered. Electronic tags are never permanently activated, allowing returned items to be reutilized by activating them in the database.



#### Screen-Integrated NFC Reader

Maximize the CRM experience with the centrally integrated NFC reader on the screen. Facilitate interaction by allowing customers to seamlessly scan NFC cards or NFC-enabled mobile phones by placing them near the center of the screen.

#### Payment Terminal

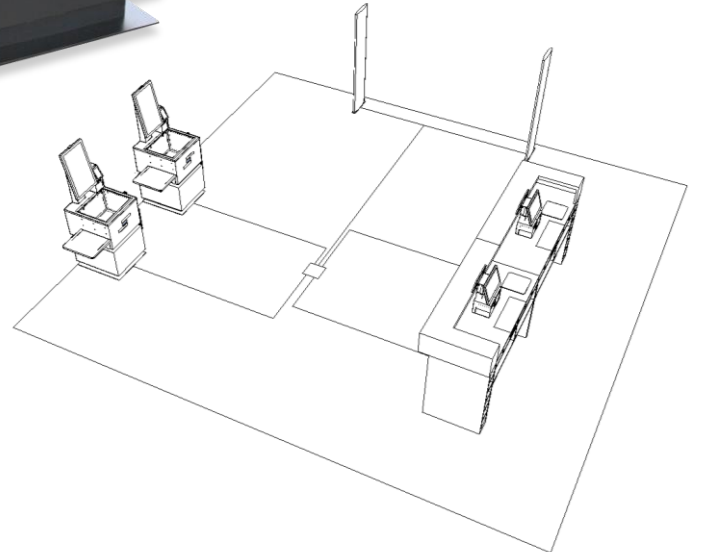
Efficiently process your credit card transactions through the BKM Common POS integrated with the 507 GMU approved POS terminal. Generate your electronic documents (e-archive and e-invoice) instantly.

#### High-Speed Receipt Printer

Streamline the sales process with a high-speed receipt printer featuring a 3-inch printing width and cutting capability (25cm per second).

#### Bag Hooks

The bag hooks provide a convenient solution for customers at the point of sale.



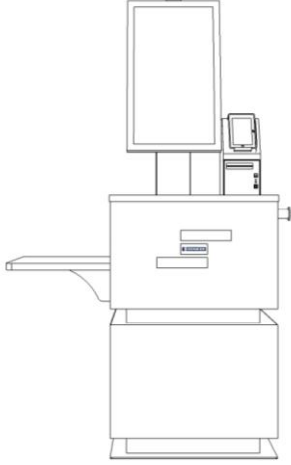
[www.denker.com.tr](http://www.denker.com.tr)

## NON-FOOD RETAIL

### MODELS

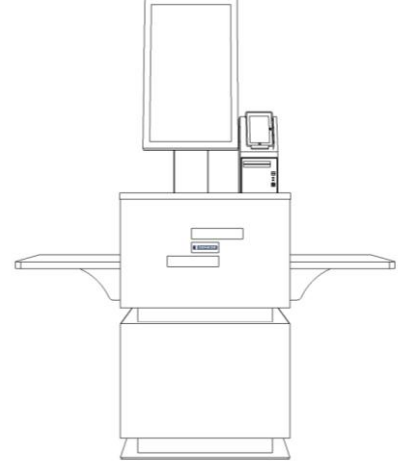
#### D-SCO GD-01

- 23.8" User Screen
- POS Terminal
- Thermal Printer
- RFID Product Pool
- Basket Platform



#### D-SCO GD-02

- 23.8" User Screen
- POS Terminal
- Thermal Printer
- RFID Product Pool
- Basket Platform

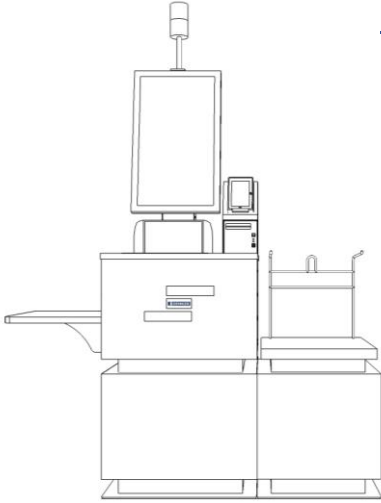


## FOOD RETAIL

### MODELS

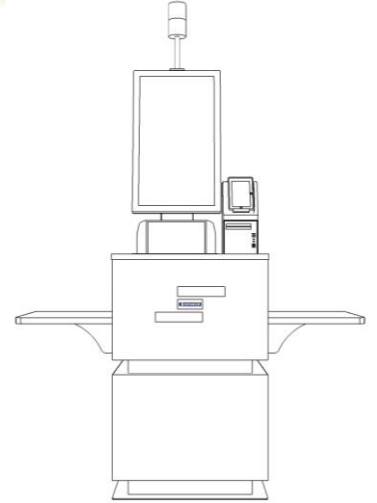
#### D-SCO GP-01

- 23.8" User Screen
- POS Terminal
- Thermal Printer
- 2D Barcode Reader
- 15 Kg Scale
- Basket Platform
- Precision Weight-Controlled Bagging Platform



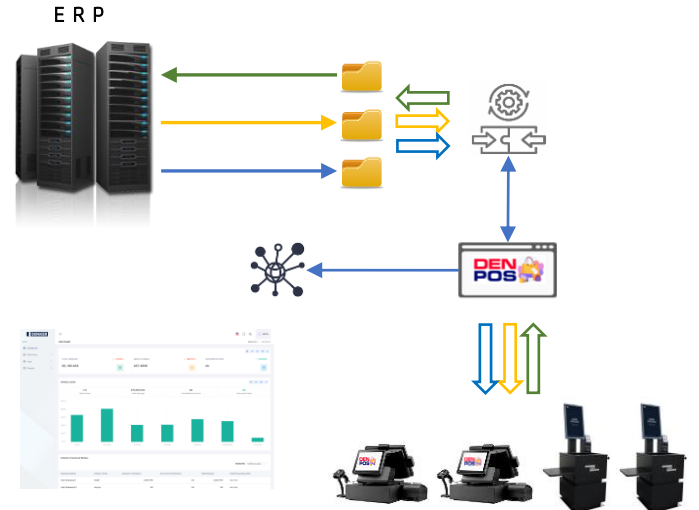
#### D-SCO GP-02

- 23.8" User Screen
- POS Terminal
- Thermal Printer
- 2D Barcode Reader
- 15 Kg Scale
- Basket Platform



DenPOS is a meticulously developed software, taking into consideration the strengths and weaknesses of existing solutions. This software enhances the fundamental requirements at the point of sale by seamlessly integrating Android operating system and user-friendly features, surpassing conventional POS solutions in terms of advantages. DenPOS is compatible with all devices running Android 8.1 and above, boasting minimal hardware requirements.

For detailed information, please contact us.



**DENKER**

hp Partner First Specialist  
Retail Solutions Specialist

[www.denker.com.tr](http://www.denker.com.tr)

Kozyatağı Mh. Şehit Mehmet Fatih Öngül Sk. Bağdatlıoğlu Plaza No:3 Daire:3 Kadıköy, İstanbul 0216 573 06 76 info@denker.com.tr